

# Data Sheet | Item Number: 857-727

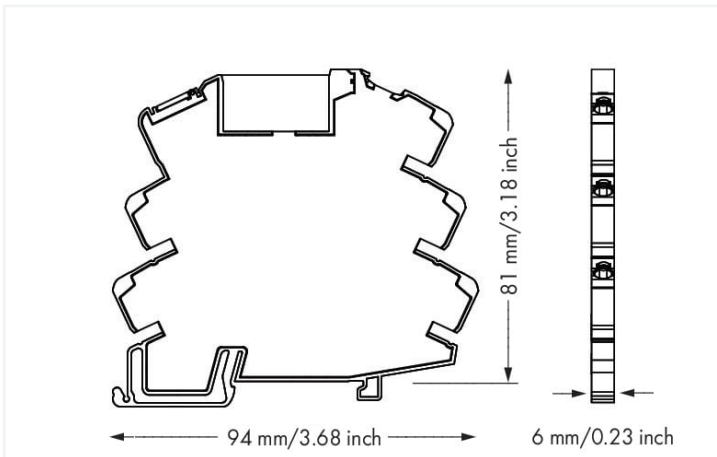
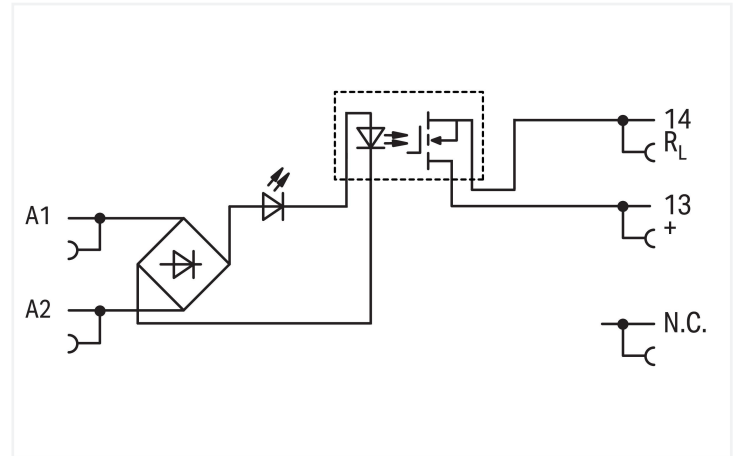
Solid-state relay module; Nominal input voltage: 115 V AC/DC; Output voltage range: 0 ... 30 VDC; Limiting continuous current: 3 A; 2-wire connection; Yellow status indicator; Module width: 6 mm; gray



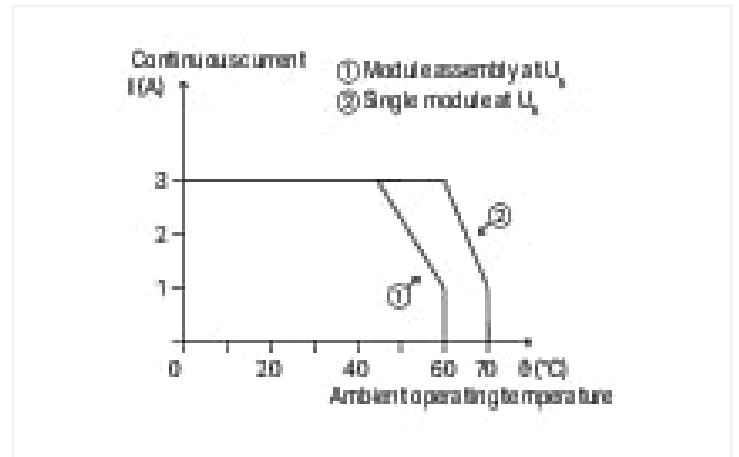
<https://www.wago.com/857-727>



Color: ■ gray



Dimensions in mm



Current-carrying capacity curve

## Notes

Note

Optocouplers and solid state relays are designed for use in signal processing networks that are not supplied directly by the low-voltage power supply network.

## Technical data

### Control circuit

Nominal input voltage $U_N$	AC/DC 115 V
Input voltage range (low level)	AC/DC 0 ... 25 V
Input voltage range (high level)	AC/DC 90 ... 138 V
Nominal input current at $U_N$	4 mA

### Load circuit

Circuit type	2-wire connection
Limiting continuous current	3 A
Inrush current (resistive) max.	(AC) 15 A / 0.01 s
Nominal output voltage	DC 24 V
Output voltage range	DC 0 ... 30 V
Voltage drop	$\leq 0.12$ VDC
Leakage current at rated voltage	$\leq 1$ $\mu$ A
Switching current (min.)	50 $\mu$ A
Turn-on time	$\leq 4.5$ ms
Turn-off time	$\leq 10$ ms
Switching frequency	$\leq 20$ Hz

### Signaling

Status indicator	Yellow LED
------------------	------------

### Safety and protection

Rated Voltage	300 V
Overtoltage category	III
Pollution degree	2
Dielectric strength (control/load circuit) (AC, 1 min)	3.51 kVrms
Insulation type (control/load circuit)	Basic insulation
Insulation type (between adjacent devices of the same type)	Reinforced insulation (safe isolation)
Insulation type (to adjacent devices of different types)	Basic insulation
Protection type	IP20

### Connection data

Connection technology	Push-in CAGE CLAMP®
Solid conductor	0.34 ... 2.5 mm <sup>2</sup> / 22 ... 14 AWG
Fine-stranded conductor	0.34 ... 2.5 mm <sup>2</sup> / 22 ... 14 AWG
Fine-stranded conductor; with insulated ferrule	0.34 ... 1.5 mm <sup>2</sup> / 22 ... 16 AWG
Strip length	9 ... 10 mm / 0.35 ... 0.39 inches

### Physical data

Width	6 mm / 0.236 inches
Height	94 mm / 3.701 inches
Depth from upper-edge of DIN-rail	81 mm / 3.189 inches

### Mechanical data

Mounting type	DIN-35 rail
Mounting position	horizontal (standing/lying); vertical

### Material data

Note (material data)	<a href="#">Information on material specifications can be found here</a>
Color	gray
Insulation material (main housing)	Polyamide (PA66)
Material group	I
Flammability class per UL94	V0
Fire load	0.544 MJ
Weight	30.1 g

### Environmental requirements

Ambient temperature (operation at U <sub>N</sub> )	-20 ... +70 °C
Ambient temperature (storage)	-40 ... +70 °C
Processing temperature	-25 ... +50 °C
Temperature range of connection cable	≥ (T <sub>ambient</sub> + 30 K)
Relative humidity	5 ... 85 % (no condensation permissible)
Operating altitude (max.)	2000 m

### Standards and specifications

Standards/specifications	EN 61000-6-2 EN 61000-6-3 EN 61373 EN 61010-2-201 UL 508
--------------------------	--

### Basic relay

WAGO Basic Relay	857-162
------------------	---------

### Commercial data

Product Group	6 (INTERFACE ELECTRONIC)
eCl@ss 10.0	27-26-15-03
eCl@ss 9.0	27-26-15-03
ETIM 9.0	EC001504
ETIM 8.0	EC001504
PU (SPU)	25 (1) pcs
Packaging type	Box
Country of origin	DE
GTIN	4045454835569
Customs tariff number	85365005000

### Environmental Product Compliance

CAS-No.	7439-92-1 79-94-7
REACH Candidate List Substance	2,2',6,6'-tetrabromo-4,4'-isopropylidenediphenol Lead
RoHS Compliance Status	Compliant,With Exemption
RoHS Exemption	7(a) 7(c)-I
SCIP notification number (Bulgaria)	0e476f02-261e-4bb9-8af5-85f3ee5ec154
SCIP notification number (Czech Republic)	10f78d05-f549-4d86-9116-0167613c4ce7

### Approvals / Certificates

#### General approvals

#### Declarations of conformity and manufacturer's declarations



Approval	Standard	Certificate Name
EAC GZO Almaty Standart	TP TC 004/2011	EAC CoC 03078
EAC GZO Almaty Standart	TP TC 020/2011	EAC CoC 03081
UL Underwriters Laboratories Inc. (ORDINARY LOCATIONS)	UL 508	E175199 Sec.4

Approval	Standard	Certificate Name
EU-Declaration of Conformity WAGO GmbH & Co. KG	-	-

Approvals for hazardous areas



Approval	Standard	Certificate Name
ATEX DEKRA EXAM GmbH	EN 60079-0	BVS_14_ATEX_E_091_X (II 3G Ex ec nC IIC T4 Gc; II 3G Ex ec IIC T4 Gc)
CCC CNEX	CNCA-C23-01	2020312304000757 (Ex ec IIC T4 Gc)
IECEX DEKRA EXAM GmbH	IEC 60079-0	IECEX_BVS_14.0079X_Is-sue_3 (Ex ec nC IIC T4 Gc; Ex ec IIC T4 Gc)
UKEx WAGO GmbH & Co. KG	EN 60079-0	WAGO22UKEX002X_ec

Downloads

Environmental Product Compliance

Compliance Search
Environmental Product Compliance 857-727 <a href="#">↓</a>

Documentation

Bid Text			
857-727	19.02.2019	xml 4.13 KB	<a href="#">↓</a>
857-727	20.02.2019	docx 16.28 KB	<a href="#">↓</a>

Instruction Leaflet			
CCC Ex (Additional information)	26.04.2023	pdf 129.88 KB	<a href="#">↓</a>

CAD/CAE-Data

CAD data
2D/3D Models 857-727 <a href="#">↓</a>

CAE data
EPLAN Data Portal 857-727 <a href="#">↓</a>
WSCAD Universe 857-727 <a href="#">↓</a>
ZUKEN Portal 857-727 <a href="#">↓</a>

**1 Compatible Products**

**1.1 Optional Accessories**

**1.1.1 Basic relay**

**1.1.1.1 Basic solid-state relay**



**Item No.: 857-162**  
 Basic solid-state relay; Nominal input voltage: 60 VDC; Output voltage range: 0 ... 24 VDC; Limiting continuous current: 3 A

**1.1.2 Ferrule**

**1.1.2.1 Ferrule**



**Item No.: 216-241**  
 Ferrule; Sleeve for 0.5 mm<sup>2</sup> / 20 AWG; insulated; electro-tin plated; electrolytic copper; gastight crimped; acc. to DIN 46228, Part 4/09.90; white



**Item No.: 216-242**  
 Ferrule; Sleeve for 0.75 mm<sup>2</sup> / 18 AWG; insulated; electro-tin plated; electrolytic copper; gastight crimped; acc. to DIN 46228, Part 4/09.90; gray



**Item No.: 216-243**  
 Ferrule; Sleeve for 1 mm<sup>2</sup> / AWG 18; insulated; electro-tin plated; electrolytic copper; gastight crimped; acc. to DIN 46228, Part 4/09.90; red



**Item No.: 216-244**  
 Ferrule; Sleeve for 1.5 mm<sup>2</sup> / AWG 16; insulated; electro-tin plated; electrolytic copper; gastight crimped; acc. to DIN 46228, Part 4/09.90; black

**1.1.3 Jumper**

**1.1.3.1 Jumper**



**Item No.: 281-482**  
 Jumper; 2-way; insulated; gray



**Item No.: 859-410/000-006**  
 Jumper; for jumper slot; 10-way; insulated; blue



**Item No.: 859-410**  
 Jumper; for jumper slot; 10-way; insulated; light gray



**Item No.: 859-410/000-005**  
 Jumper; for jumper slot; 10-way; insulated; red



**Item No.: 859-410/000-029**  
 Jumper; for jumper slot; 10-way; insulated; yellow



**Item No.: 859-402/000-006**  
 Jumper; for jumper slot; 2-way; insulated; blue



**Item No.: 859-402**  
 Jumper; for jumper slot; 2-way; insulated; light gray



**Item No.: 859-402/000-005**  
 Jumper; for jumper slot; 2-way; insulated; red



**Item No.: 859-402/000-029**  
 Jumper; for jumper slot; 2-way; insulated; yellow



**Item No.: 859-403/000-006**  
 Jumper; for jumper slot; 3-way; insulated; blue



**Item No.: 859-403**  
 Jumper; for jumper slot; 3-way; insulated; light gray



**Item No.: 859-403/000-005**  
 Jumper; for jumper slot; 3-way; insulated; red



**Item No.: 859-403/000-029**  
 Jumper; for jumper slot; 3-way; insulated; yellow



**Item No.: 859-404/000-006**  
 Jumper; for jumper slot; 4-way; insulated; blue



**Item No.: 859-404**  
 Jumper; for jumper slot; 4-way; insulated; light gray



**Item No.: 859-404/000-005**  
 Jumper; for jumper slot; 4-way; insulated; red



**Item No.: 859-404/000-029**  
 Jumper; for jumper slot; 4-way; insulated; yellow



**Item No.: 859-405/000-006**  
 Jumper; for jumper slot; 5-way; insulated; blue



**Item No.: 859-405**  
 Jumper; for jumper slot; 5-way; insulated; light gray



**Item No.: 859-405/000-005**  
 Jumper; for jumper slot; 5-way; insulated; red



**Item No.: 859-405/000-029**  
 Jumper; for jumper slot; 5-way; insulated; yellow



**Item No.: 859-406/000-006**  
 Jumper; for jumper slot; 6-way; insulated; blue



**Item No.: 859-406**  
 Jumper; for jumper slot; 6-way; insulated; light gray



**Item No.: 859-406/000-005**  
 Jumper; for jumper slot; 6-way; insulated; red



**Item No.: 859-406/000-029**  
 Jumper; for jumper slot; 6-way; insulated; signal yellow



**Item No.: 859-407/000-006**  
 Jumper; for jumper slot; 7-way; insulated; blue



**Item No.: 859-407**  
 Jumper; for jumper slot; 7-way; insulated; light gray



**Item No.: 859-407/000-005**  
 Jumper; for jumper slot; 7-way; insulated; red

1.1.3.1 Jumper



**Item No.: 859-407/000-029**  
 Jumper; for jumper slot; 7-way; insulated; yellow

**Item No.: 859-408/000-006**  
 Jumper; for jumper slot; 8-way; insulated; blue

**Item No.: 859-408**  
 Jumper; for jumper slot; 8-way; insulated; light gray

**Item No.: 859-408/000-005**  
 Jumper; for jumper slot; 8-way; insulated; red



**Item No.: 859-408/000-029**  
 Jumper; for jumper slot; 8-way; insulated; yellow

**Item No.: 859-409/000-006**  
 Jumper; for jumper slot; 9-way; insulated; blue

**Item No.: 859-409**  
 Jumper; for jumper slot; 9-way; insulated; light gray

**Item No.: 859-409/000-005**  
 Jumper; for jumper slot; 9-way; insulated; red



**Item No.: 859-409/000-029**  
 Jumper; for jumper slot; 9-way; insulated; yellow

1.1.4 Marking

1.1.4.1 Double marker carrier



**Item No.: 209-128**  
 Adaptor; gray

1.1.4.2 Group marker carrier



**Item No.: 249-105**  
 Group marker carrier; gray

1.1.4.3 Marker



**Item No.: 209-183**  
 Marker; white

**Item No.: 793-5501**  
 WMB marking card; as card; for terminal block width 5 - 17.5 mm; stretchable 5 - 5.2 mm; plain; snap-on type; white

**Item No.: 793-502**  
 WMB marking card; as card; MARKED; 1 ... 10 (10x); not stretchable; Horizontal marking; snap-on type; white

**Item No.: 793-566**  
 WMB marking card; as card; MARKED; 1 ... 50 (2x); not stretchable; Horizontal marking; snap-on type; white



**Item No.: 793-503**  
 WMB marking card; as card; MARKED; 11 ... 20 (10x); not stretchable; Horizontal marking; snap-on type; white

**Item No.: 793-504**  
 WMB marking card; as card; MARKED; 21 ... 30 (10x); not stretchable; Horizontal marking; snap-on type; white

**Item No.: 793-505**  
 WMB marking card; as card; MARKED; 31 ... 40 (10x); not stretchable; Horizontal marking; snap-on type; white

**Item No.: 793-506**  
 WMB marking card; as card; MARKED; 41 ... 50 (10x); not stretchable; Horizontal marking; snap-on type; white



**Item No.: 793-501**  
 WMB marking card; as card; not stretchable; plain; snap-on type; white

**Item No.: 2009-115**  
 WMB-Inline; for Smart Printer; 1500 pieces on roll; stretchable 5 - 5.2 mm; plain; snap-on type; white

#### 1.1.4.4 Marking device



**Item No.: 210-110**

Fiber-tip pen

#### 1.1.4.5 Marking strip



**Item No.: 2009-110**

Marking strips; for Smart Printer; on reel; not stretchable; plain; snap-on type; white

#### 1.1.4.6 Protective marker cover



**Item No.: 209-184**

Protection cover; transparent

#### 1.1.5 Tool

##### 1.1.5.1 Operating tool

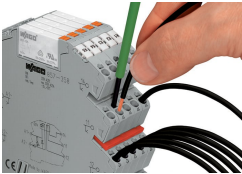


**Item No.: 210-720**

Operating tool; Blade: 3.5 x 0.5 mm; with a partially insulated shaft; multicoloured

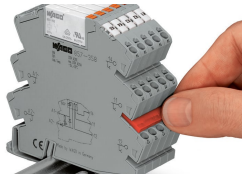
### Installation Notes

#### Conductor termination



Conductor termination

#### Commoning



Easy commoning using adjacent jumpers

## Marking



Marking via WMB Multi Marking System.

## Installation



Removing a relay via ejector.