

Data Sheet | Item Number: 249-115

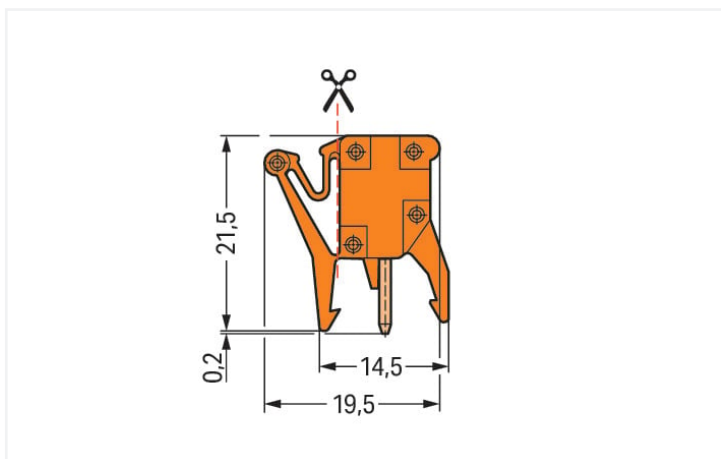
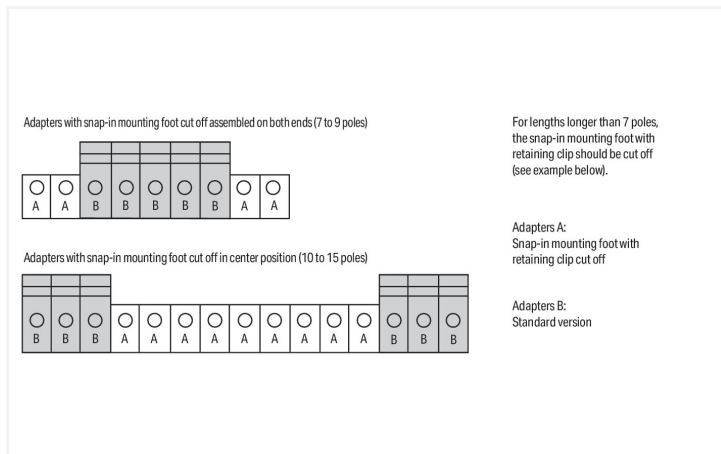
Test plug adapter; suitable for 255, 256, 257 Series PCB terminal blocks; 1-pole; Pin spacing 10.16 mm / 0.4 in; orange

<https://www.wago.com/249-115>



Color: ■ orange

Similar to illustration



Dimensions in mm

Cutting mark for separating the retaining clip and its snap-in mounting foot

Electrical data

Ratings per	IEC/EN 60664-1		
Overvoltage category	III	III	II
Pollution degree	3	2	2
Nominal voltage	-	320 V	-
Rated surge voltage	-	4 kV	-
Rated current	-	6 A	-

Connection data

Connection 1	
Pole number	1

Physical data

Pin spacing	10.16 mm / 0.4 inches
Width	10.16 mm / 0.4 inches
Height	21.5 mm / 0.846 inches
Depth	19.5 mm / 0.768 inches

Mechanical data

Suitable	for PCB terminal blocks (255, 256, 257 Series); with socket for 2 mm and 2.3 mm Ø test plugs
----------	--

Material data

Note (material data)	Information on material specifications can be found here
Color	orange
Material group	I
Insulation material (main housing)	Polyamide (PA66)
Flammability class per UL94	V0
Fire load	0.035 MJ
Weight	1.6 g

Environmental requirements

Limit temperature range	-60 ... +105 °C
-------------------------	-----------------

Commercial data

Product Group	2 (Terminal Block Accessories)
eCl@ss 10.0	27-14-11-48
eCl@ss 9.0	27-14-11-48
ETIM 8.0	EC002255
ETIM 7.0	EC002255
PU (SPU)	100 (25) pcs
Packaging type	Box
Country of origin	CH
GTIN	4045454306861
Customs tariff number	85366990990

Environmental Product Compliance

RoHS Compliance Status	Compliant, No Exemption
------------------------	-------------------------

Downloads

Environmental Product Compliance

Compliance Search

Environmental Product
Compliance 249-115



Documentation

Additional Information

Technical Section	03.04.2019	pdf 2027.26 KB	↓
-------------------	------------	-------------------	-------------------

CAD/CAE-Data

CAD data

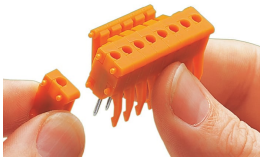
2D/3D Models 249-115	↓
----------------------	-------------------

CAE data

EPLAN Data Portal 249-115	↓
------------------------------	-------------------

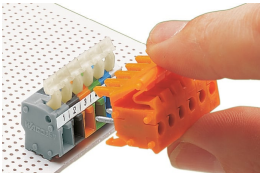
Installation Notes

Installation



Assembling a multipole test plug adapter.

Installation



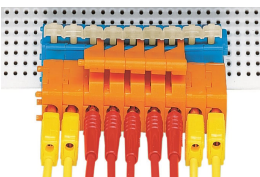
Inserting a test plug adapter into a terminal strip.

Testing



Testing wired terminal blocks.

Application



9-pole test plug adapter – external snap-in mounting feet with retaining clips cut off

Subject to changes. Please also observe the further product documentation!

Current addresses can be found at: www.wago.com