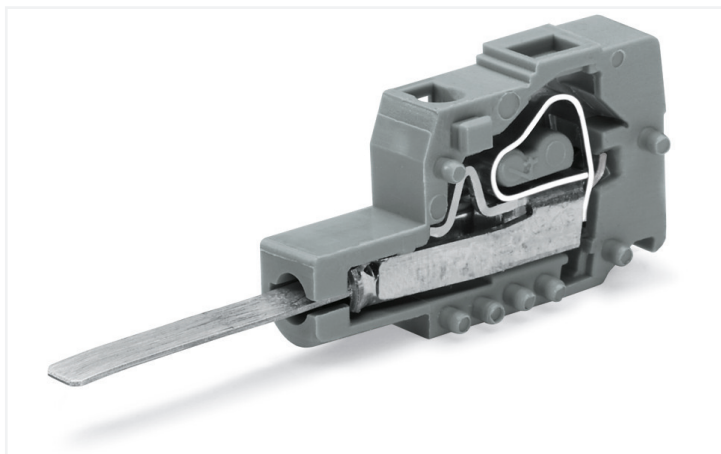


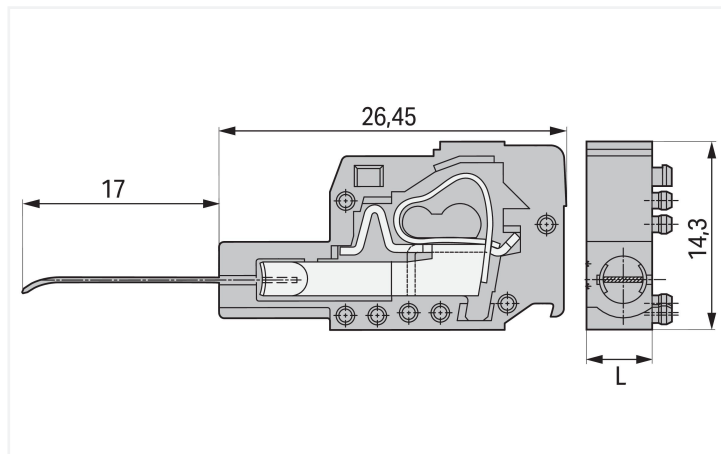
## Data Sheet | Item Number: 231-126

Testing plug module with contact stud; for 280, 736, 737, 738, 780 Series; Pin spacing 5 mm / 0.197 in; 2,50 mm<sup>2</sup>; gray

<https://www.wago.com/231-126>



Color: ■ gray



Dimensions in mm  
L = pin spacing

### Electrical data

Ratings per	IEC/EN 60664-1		
	III	III	II
Overvoltage category	III	III	II
Pollution degree	3	2	2
Nominal voltage	-	250 V	-
Rated surge voltage	-	2.5 kV	-
Rated current	-	0.5 A	-

### Connection data

Connection points	1
Total number of potentials	1
Number of connection types	1

#### Connection 1

Connection technology	CAGE CLAMP®
Solid conductor	0.08 ... 2.5 mm <sup>2</sup> / 28 ... 12 AWG
Fine-stranded conductor	0.08 ... 2.5 mm <sup>2</sup> / 28 ... 12 AWG
Strip length	12 ... 13 mm / 0.47 ... 0.51 inches

### Physical data

Pin spacing	5 mm / 0.197 inches
Width	5 mm / 0.197 inches
Height	14.3 mm / 0.563 inches
Depth	43.45 mm / 1.711 inches

### Mechanical data

Application	Testing without connected conductor
Test contact length	17 mm
Suitable	for 280, 736, 737, 738, 780 Series

### Material data

Note (material data)	<a href="#">Information on material specifications can be found here</a>
Color	gray
Material group	I
Insulation material	Polyamide (PA66)
Flammability class per UL94	V0
Clamping spring material	Chrome-nickel spring steel (CrNi)
Contact material	Electrolytic copper (E <sub>Cu</sub> )
Contact plating	Tin
Fire load	0.029 MJ
Weight	2.1 g

### Environmental requirements

Limit temperature range	-60 ... +105 °C
Processing temperature	-35 ... +60 °C

### Commercial data

Product Group	3 (Multi Conn. System)
eCl@ss 10.0	27-14-11-48
eCl@ss 9.0	27-14-11-48
ETIM 8.0	EC002555
ETIM 7.0	EC002555
PU (SPU)	100 pcs
Packaging type	Box
Country of origin	DE
GTIN	4045454193584
Customs tariff number	85366990990

### Environmental Product Compliance

RoHS Compliance Status	Compliant, No Exemption
------------------------	-------------------------

### Approvals / Certificates

#### General approvals



Approval	Standard	Certificate Name
CSA DEKRA Certification B.V.	C22.2	1466354

#### Approvals for marine applications



Approval	Standard	Certificate Name
LR Lloyds Register	IEC 61984	96/20035 (E5)

**Downloads**

**Environmental Product Compliance**

Compliance Search

Environmental Product Compliance 231-126



**Documentation**

Additional Information

Technical Section

03.04.2019

pdf

2027.26 KB



**CAD/CAE-Data**

CAD data

2D/3D Models 231-126



CAE data

ZUKEN Portal 231-126



**1 Compatible Products**

**1.1 Required Accessories**

**1.1.1 End plate**

**1.1.1.1 End plate**



**Item No.: 231-100**

End plate; 1.5 mm thick; gray

**1.2 Optional Accessories**

**1.2.1 Tool**

**1.2.1.1 Operating tool**



**Item No.: 210-720**

Operating tool; Blade: 3.5 x 0.5 mm; with a partially insulated shaft; multicoloured

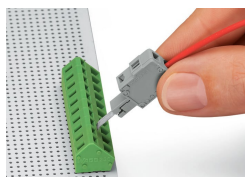


**Item No.: 210-657**

Operating tool; Blade: 3.5 x 0.5 mm; with a partially insulated shaft; short; multicoloured

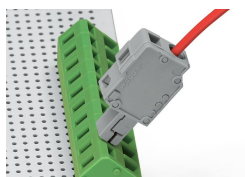
## Installation Notes

### Application



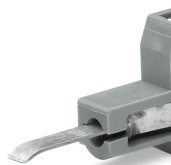
Inserting a test plug module into the operating slot.

### Testing



Unwired terminal strip with inserted test plug module

### Application



Contact type A:  
Testing only when unwired.